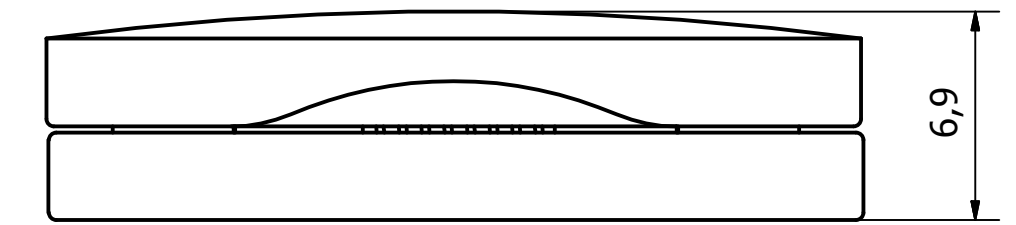
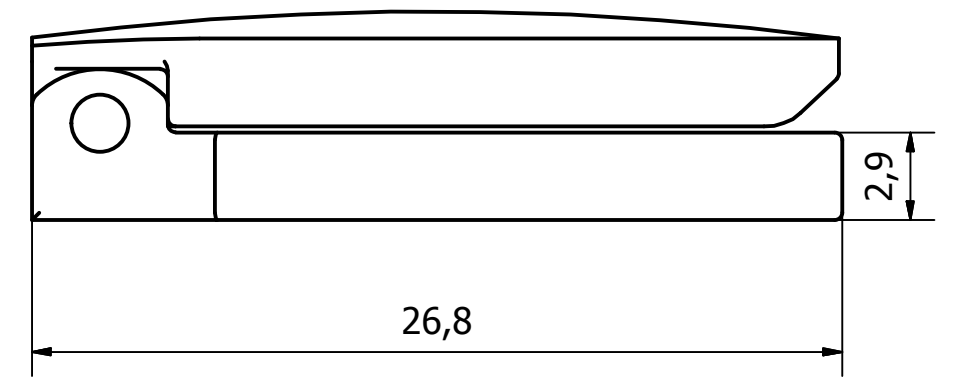
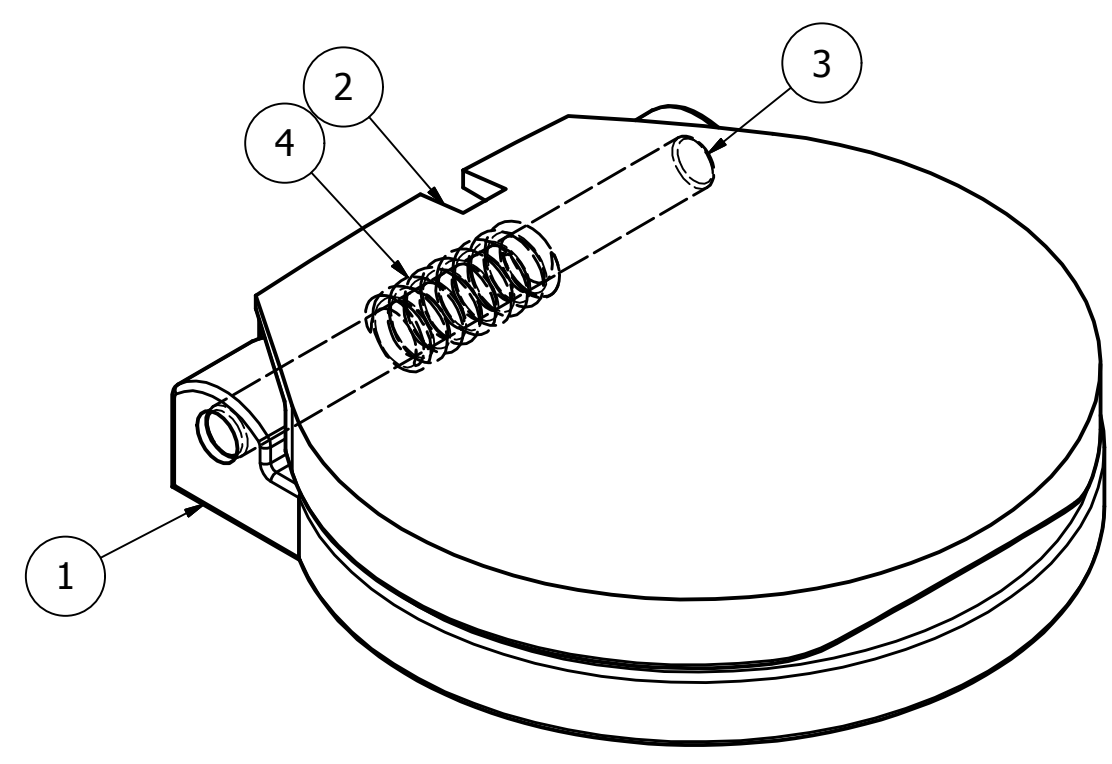


PARTS LIST			
ITEM	QTY	PART NUMBER	DESCRIPTION
1	1	0130-001-1	POLISHED CHROME ZINC DIE CAST BASE
2	1	0130-001-2	POLISHED CHROME ZINC DIE CAST LID
3	1	0130-001-3	M/STEEL LID PIN
4	1	0130-001-4	M/STEEL LID SPRING



NOTE:  
LID OPENS TO 90°

GENERAL TOLERANCES ON LENGTHS	
0.5 - 6 ± 0.1mm	
6 - 30 ± 0.2mm	
30 - 120 ± 0.3mm	
120 - 400 ± 0.5mm	
400 - 1000 ± 0.8mm	
1000 - 2000 ± 1.2mm	
2000 - 4000 ± 2.0mm	

REV	DESCRIPTION	DATE	APPROVED
1	VALIDATION COMPLETE	28/07/17	A.P

DRAWN BY	CHECKED BY	SCALE	MATERIAL	MASS	FINISH	Date	ALL DIMS IN MM UNLESS STATED DO NOT SCALE
U.F	A.P	4 : 1	-	0.017 kg	POLISHED CHROME	23/05/2017	A3

POLISHED CHROME SPRING LIDDED ESCUTCHEON	
0130-001	Edition 1 / Sheet 1 / 1